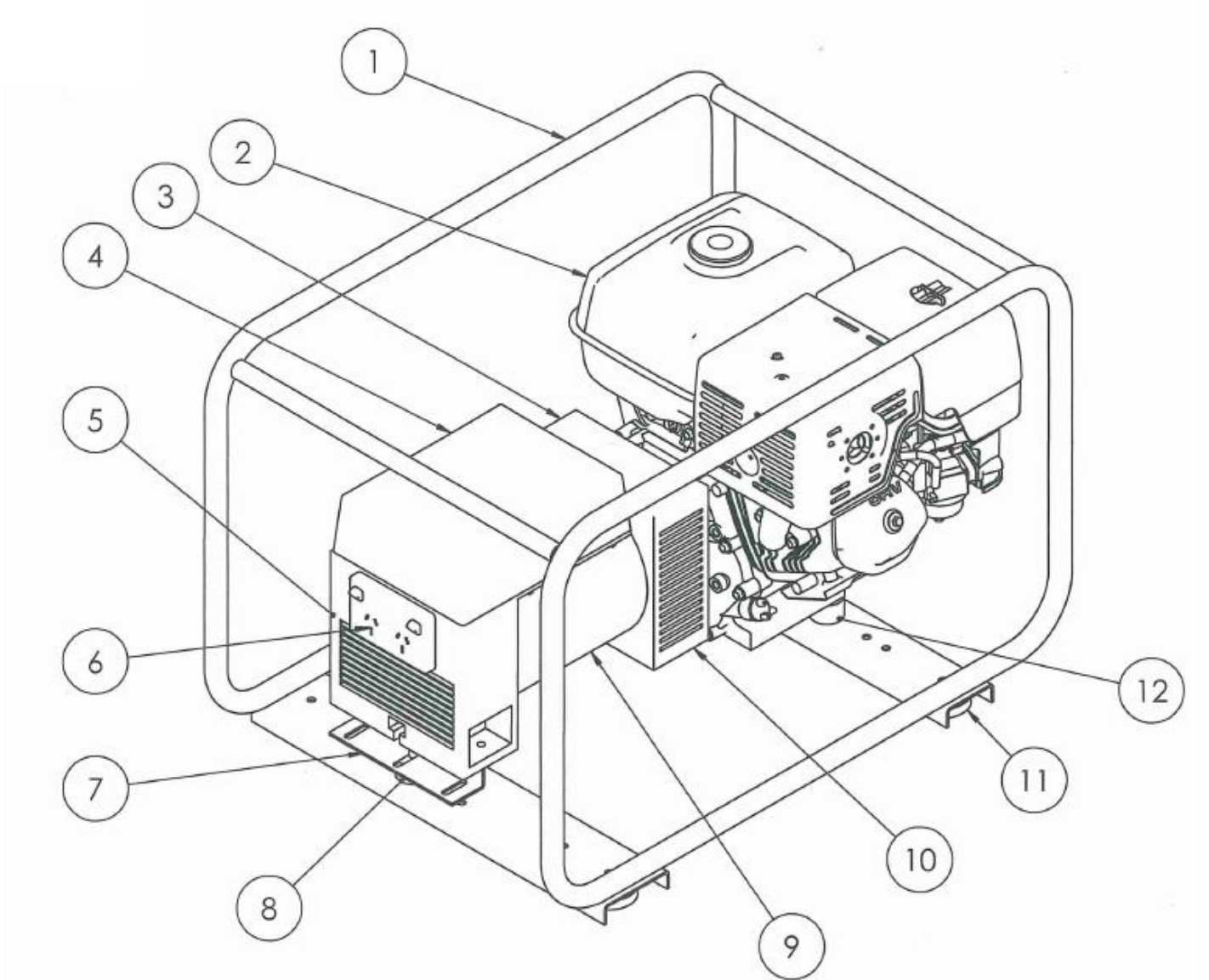


EP8000HSR (416126) Parts Breakdown



Picture for illustration purposes only

EP8000HSR (416126) Parts Breakdown

No	Code	Part No	Description	Qty
1	402049	10-GT-N3-060	Frame Rollover Gentech # 3	1
2	n/a	GX390UT2VX8	Petrol Engine Honda 13HP Tape R Shaft <i>(contact local Honda dealer)</i>	1
3	408261	3SLA10012	Coupling Flange <i>(Drive End Bracket/Housing)</i>	1
4	402328	1GGA10019	Top Cover	1
5	402323	1GGA10011	Blind Cover	1
7	401985	10-GN-130	Support for Alternator (facing outward)	1
8	402068	10-MOUNT-STUD-M08X25	M8 X 25MM Dia Rubber Mount Stud <i>(Frame to Alternator)</i> <i>Included bolts as per below pic.</i>	1
9	415327	ALT-2PN-009.5KVA-1PH	9.5KVA 2Pole 1Phase Alternator	1
10	402322	1GGA10010	Outlet Grid <i>(Louver)</i>	2
11	402066	10-MOUNT-BASE-KIT-1	Vibration Mount Rubber Foot <i>(Includes: nuts, bolts, spacers & washers as per below pic.)</i>	4
12	402069	10-MOUNT-STUD-M08X40	M8 X 40MM Dia Rubber Mount Stud <i>(Frame to Engine)</i> <i>Include bolts as per below pic.</i>	2

Optional Extras;

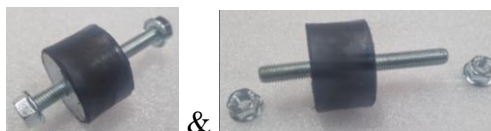
6	414038	80-GPO-DOUBLE-15A	15AMP Double GPO	1
-	413056	7MEC050	50UF Capacitor	1

Additional Information;

Part # 7



Part # 11



Part # 10

